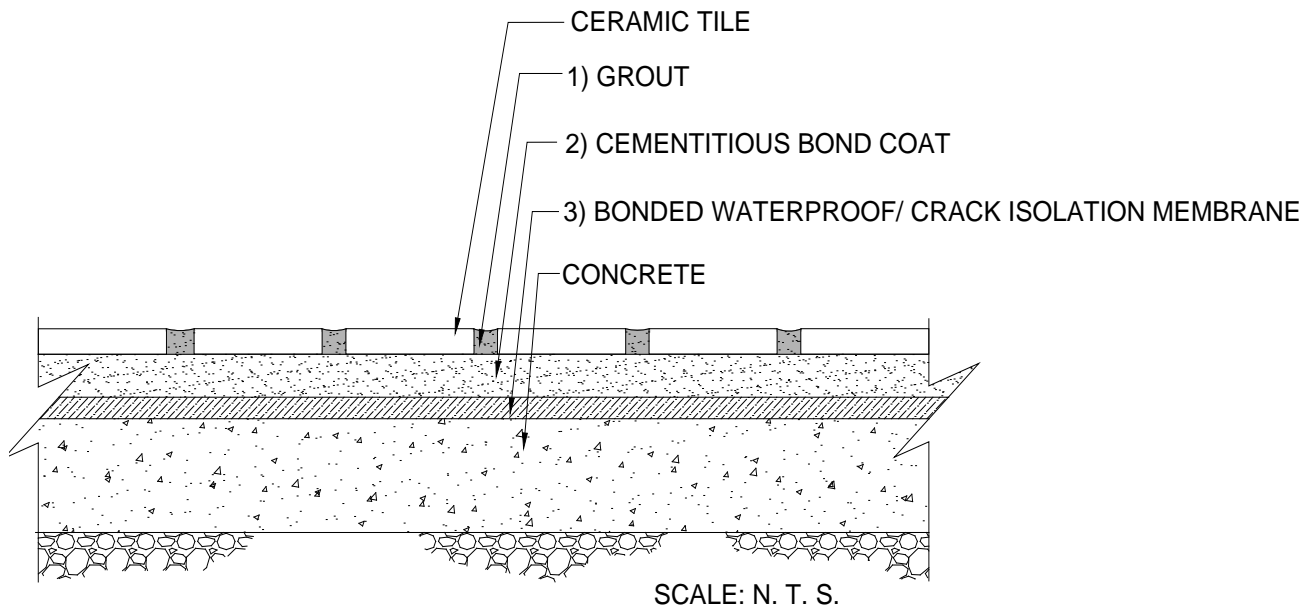


EXTERIOR PAVERS

TCNA: F102

Moderate Climate

On Grade Concrete Direct Bond



MAPEI Products Assembly

1. **Grout Options:**
 - A. *Ultracolor® Plus FA*

2. **Cementitious Bond Coat Options:**
 - A. *Ultraflex™RS (Good)*
 - B. *Ultra Flex LFT RS (Better)*
 - C. *Granirapid System (Best)*

3. **Optional Waterproofing Membrane Options:**
 - A. *Mapelastic AquaDefense (Better)*
 - B. *Mapelastic 315 (Best)*

Canada's (TTMAC) Tile Installation Manual. MAPEI products are listed as options and are substituted for TCNA's and TTMAC's listed ANSI and ISO (ISO 13007) standards. Please refer to the referenced handbooks and current data sheets for complete instructions and application limitations. Some installation methods and component materials are not referenced. MAPEI encourages the user to consult all approved resources to ensure a complete assembly.

MAPEI Corporation ♦ 1144 E. Newport Center Drive ♦ Deerfield Beach, Florida 33442 ♦ Phone: 954-246-8888



FLOORS, EXTERIOR

On-Ground Concrete Moderate Climate

1. Create a substrate of compacted ground followed by a layer of gravel
2. Add a leveling layer of concrete thickness depending on conditions of expected use. This concrete substrate should be poured at ¼" in 10' to achieve proper drainage.
3. At the designer's discretion install crack isolation membrane. For moderate climate use MAPEI AquaDefense (Better) or MAPEI Mapelastic 315 (Best).
4. Install pavers using either of the mortars listed. Comb the mortar in one direction using ½" notched trowel. On the back of the paver key in the mortar and trowel with ½" notched trowel, applying the mortar in the same direction as the mortar on the substrate. Place the paver while the mortar is still plastic. Slide the paver in a back and forth motion to achieve full coverage of the mortar. Occasionally lift a paver to make sure full coverage is being achieved. Refer to Daltile for the recommended size of the grout joint. For moderate climate install with MAPEI Ultra Flex RS (Good), or MAPEI Ultra Flex LFT RS (Better), or MAPEI Granirapid System (Best).
5. After drying install grout using MAPEI Ultracolor Plus FA. Place movement joints in the finished work as per TCNA EJ171 Guideline.