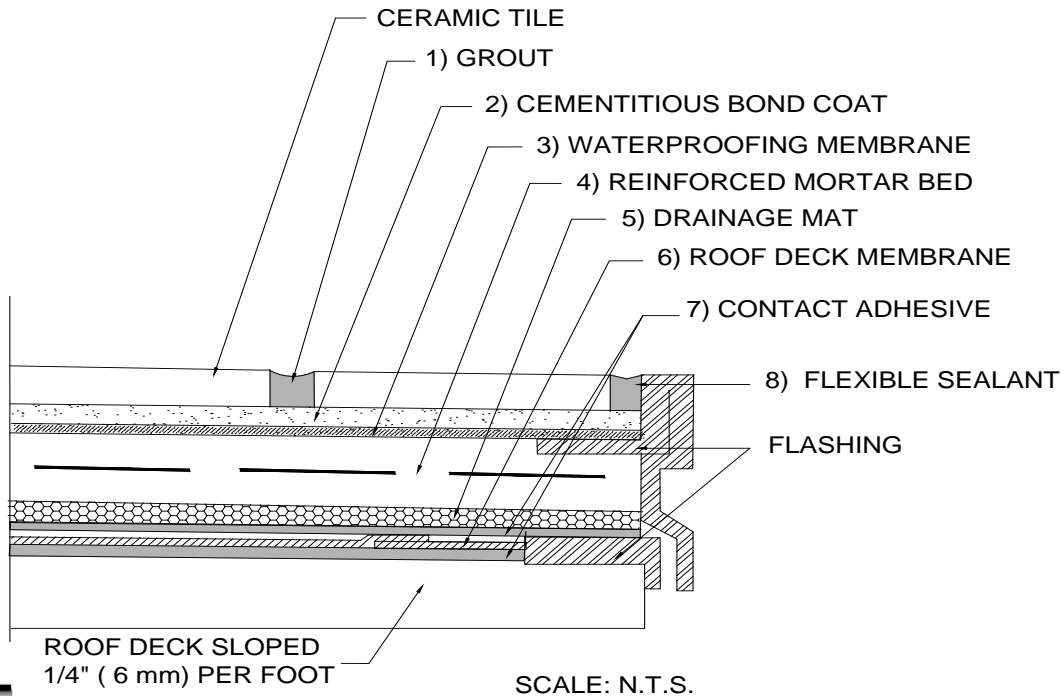


# EXTERIOR ROOF / DECK PAVERS

TCNA: F103B

Freeze / Thaw Climate

Roof Deck or Balcony over Occupied Space, Drainage Mat, Mortar Bed



## MAPEI Products Assembly

1. **Grout:**
  - A. *Ultracolor® Plus FA*
2. **Cementitious Bond Coat:**
  - A. *Granirapid Systems*
3. **Waterproofing Membrane:**
  - A. *Mapelastic 315*
4. **Reinforced Mortar Bed:**
  - A. *Modified Mortar Bed*
5. **Drainage Mat Options:**
  - A. *Mapedrain™ 35*
6. **Roof Deck Membrane Options:** (see specification for details)
  - A. *Planiseal CR-1 at 60 mils (Good)*
  - B. *Planiseal CR-1 at 90 mils with LRM Fabric (Better)*
  - C. *Planiseal CR-1 at 120 mils with LRM Fabric (Best)*
7. **Flexible Sealant:**
  - A. *Mapesil™ T*



---

## **EXTERIOR ROOF / DECK PAVERS**

Roof Deck or Balcony over Occupied Space, Drainage Mat, Mortar Bed  
Freeze / Thaw

1. Follow manufacturers recommendation installing MAPEI Planiseal CR-1 Liquid Applied Membrane. Dependin on performane apply at 60 mils, or 90 mils with LRM fabric, or at 120 mils with LRM Fabric.
2. Install MAPEI Drainage Mat 35.
3. Install a mortar bed using MAPEI Modified Mortar Bed. Apply the Modified Mortar Bed at a thickness  $\frac{3}{4}$ " min to 2" max. The mortar bed should be sloped to  $\frac{1}{4}$ " in 10' for drainage.
4. Install secondary waterproofing. In freeze / thaw environments use MAPEI Mapelastic 315.
5. Install pavers using either of the two mortars listed. Comb the mortar in one direction using  $\frac{1}{2}$ " notched trowel. On the back of the paver key in the mortar and trowel with  $\frac{1}{2}$ " notched trowel, applying the mortar in the same direction as the mortar on the substrate. Place the paver while the mortar is still plastic. Slide the paver in a back and forth motion to achieve full coverage of the mortar. Occasionally lift a paver to make sure full coverage is being achieved. Refer to Daltile for the recommended size of the grout joint. For freeze / thaw regions install with MAPEI Granirapid System.
6. After drying install grout using MAPEI Ultracolor Plus FA. Place movement joints in the finished work as per TCNA EJ171 Guideline.