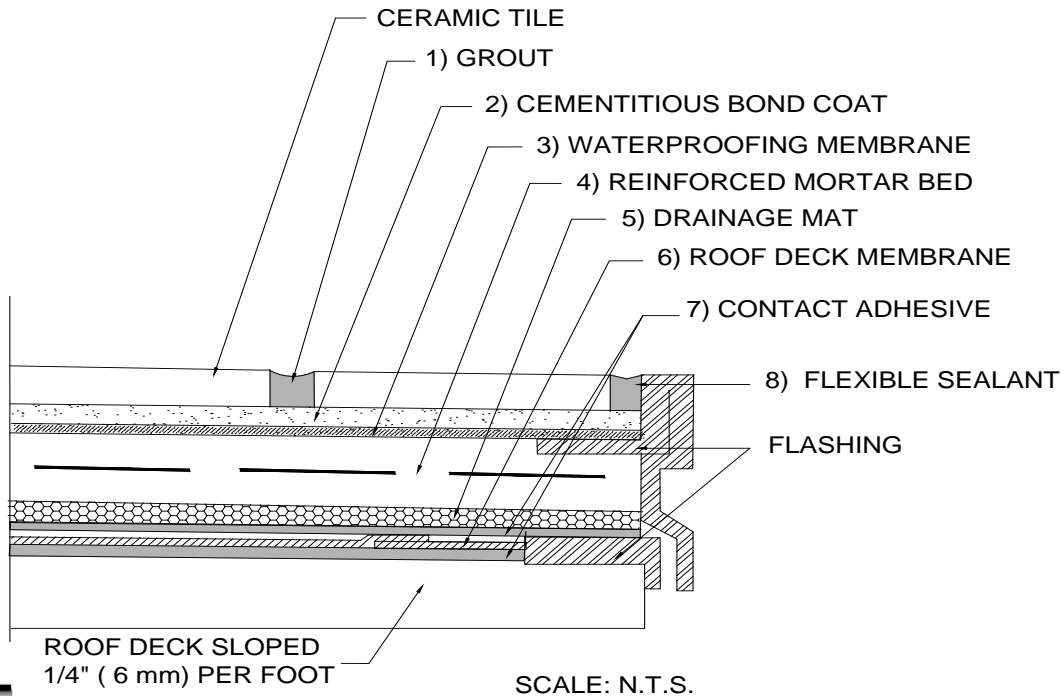


EXTERIOR ROOF / DECK PAVERS

TCNA: F103B

Moderate Climate

Roof Deck or Balcony over Occupied Space, Drainage Mat, Mortar Bed



MAPEI Products Assembly

1. **Grout:**
 - A. *Ultracolor® Plus FA*
2. **Cementitious Bond Coat Options:**
 - A. *Ultra Flex RS (Good)*
 - B. *Ultra Flex LFT RS (Better)*
 - C. *Granirapid Systems (Best)*
3. **Waterproofing Membrane Options:**
 - A. *Mapelastic AquaDefense (Better)*
 - B. *Mapelastic 315 (Best)*
4. **Reinforced Mortar Bed:**
 - A. *Modified Mortar Bed*
5. **Drainage Mat Options:**
 - A. *Mapedrain™ 35*
6. **Roof Deck Membrane Options:** (see specification for details)
 - A. *Planiseal CR-1 at 60 mils (Good)*
 - B. *Planiseal CR-1 at 90 mils with LRM Fabric (Better)*
 - C. *Planiseal CR-1 at 120 mils with LRM Fabric (Best)*
7. **Flexible Sealant:**
 - A. *Mapesil™ T*



EXTERIOR ROOF / DECK FLOORS

Roof Deck or Balcony over Occupied Space, Drainage Mat, Mortar Bed
Moderate Climate

1. Follow manufacturers recommendation installing MAPEI Planiseal CR-1 Liquid Applied Membrane. Depending on performance apply at 60 mils (Good), or 90 mils with LRM Fabric (Better), or at 120 mils with LRM Fabric (Best).
2. Install MAPEI Drainage Mat 35.
3. Install a mortar bed using MAPEI Modified Mortar Bed. Apply the Modified Mortar Bed at a thickness $\frac{3}{4}$ " min to 2" max. The mortar bed should be sloped to $\frac{1}{4}$ " in 10' for drainage.
4. Install secondary waterproofing. For moderate climate use MAPEI Aqua Defense (Better) or MAPEI Mapelastic 315 (Best).
5. Install pavers using either of the mortars listed. Comb the mortar in one direction using $\frac{1}{2}$ " notched trowel. On the back of the paver key in the mortar and trowel with $\frac{1}{2}$ " notched trowel, applying the mortar in the same direction as the mortar on the substrate. Place the paver while the mortar is still plastic. Slide the paver in a back and forth motion to achieve full coverage of the mortar. Occasionally lift a paver to make sure full coverage is being achieved. Refer to Daltille for the recommended size of the grout joint. For moderate climate install with MAPEI Ultra Flex RS (Good), MAPEI Ultra Flex LFT RS (Better), or MAPEI Granirapid System (Best).
6. After drying install grout using MAPEI Ultracolor Plus FA. Place movement joints in the finished work as per TCNA EJ171 Guideline.