

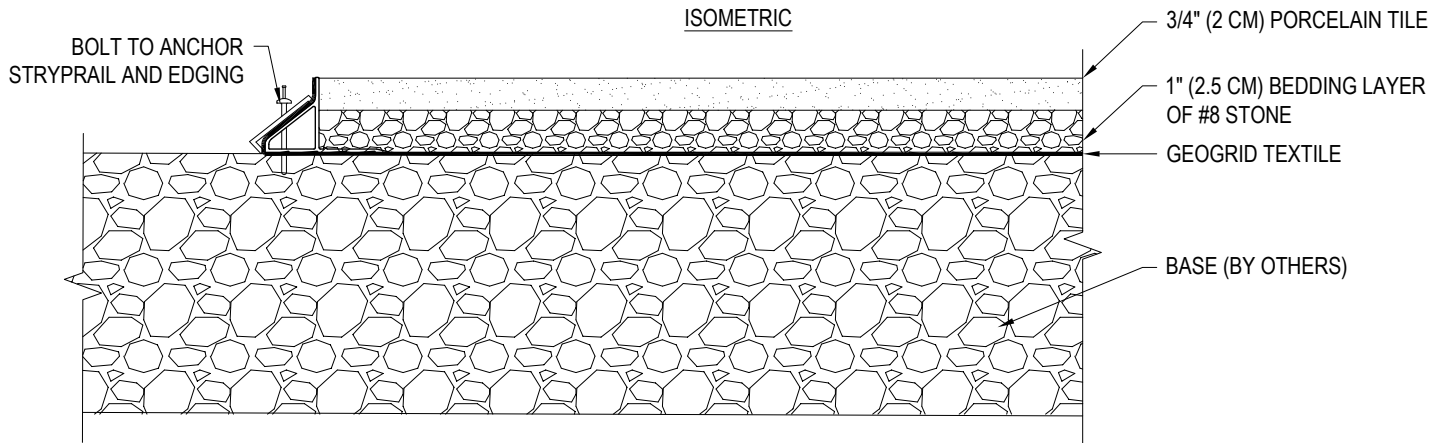
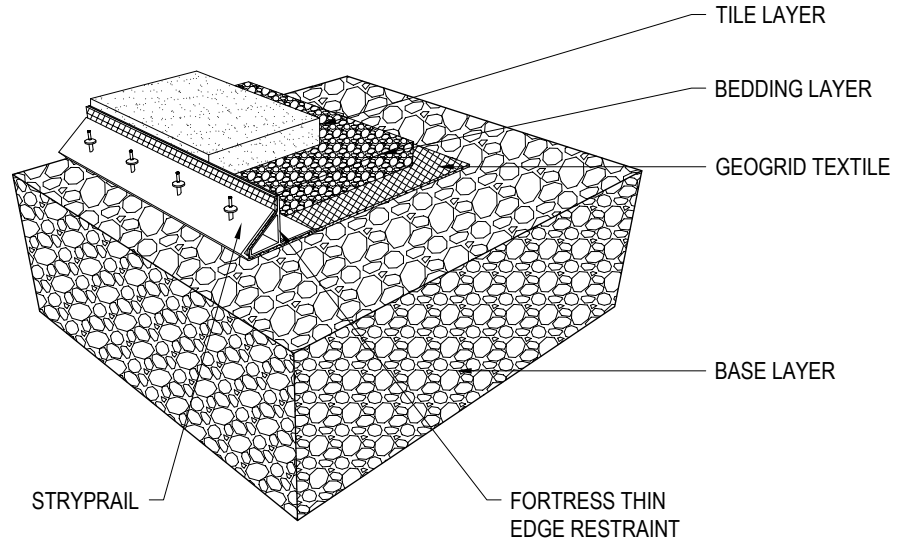
FORTRESS ENGINEERING - DESIGN
 15354 FLAG AVENUE SOUTH
 PRIOR LAKE, MN 55372
 PHONE: (952) 226-7226
 www.fortressedging.com

SELECT DESIRED EDGING:

- THIN (SHOWN)
- PAVER
- HEAVY

SELECT DESIRED TYPE:

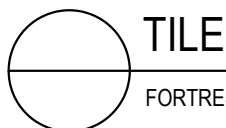
- STRAIGHT
- VERSA



SECTION

NOTES:

1. INSTALLATION TO BE COMPLETED IN ACCORDANCE WITH MANUFACTURER'S SPECIFICATIONS.
2. DO NOT SCALE DRAWING.
3. THIS DRAWING IS INTENDED FOR USE BY ARCHITECTS, ENGINEERS, CONTRACTORS, CONSULTANTS AND DESIGN PROFESSIONALS FOR PLANNING PURPOSES ONLY. THIS DRAWING MAY NOT BE USED FOR CONSTRUCTION.
4. ALL INFORMATION CONTAINED HEREIN WAS CURRENT AT THE TIME OF DEVELOPMENT BUT MUST BE REVIEWED AND APPROVED BY THE PRODUCT MANUFACTURER TO BE CONSIDERED ACCURATE.
5. CONTRACTOR'S NOTE: FOR PRODUCT AND COMPANY INFORMATION VISIT www.CADdetails.com/info AND ENTER REFERENCE NUMBER 5468-011.



FORTRESS THIN USING STRYPRAIL EDGE RESTRAINT ANCHORING SYSTEM STANDARD